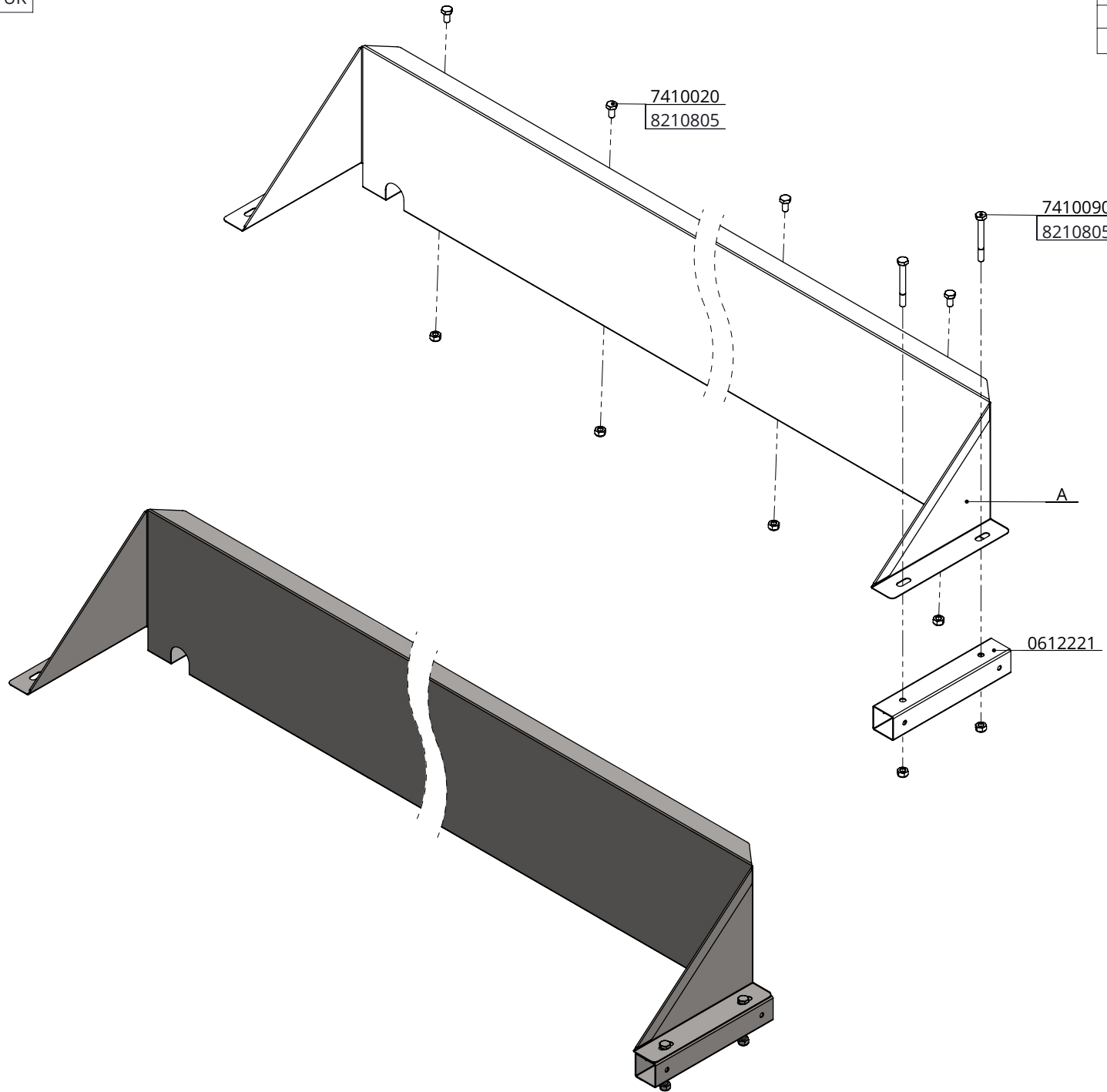


Item-nr.	Description	A
0612159	splash back for trough 150 cm	0612158
0612209	splash back for trough 200 cm	0612208



Item-nr.	Description	Number
0612221	stainless steel square tube for cover	1
7410020	hexagon-head tapbolt M10x20 stainless st	4/5
7410090	hexagon-head bolt M10x90 stainless st	2
8210805	self locking nylon nut M10, stainl.steel	6/7
A	stainless steel splash back trough	1

splash back for trough

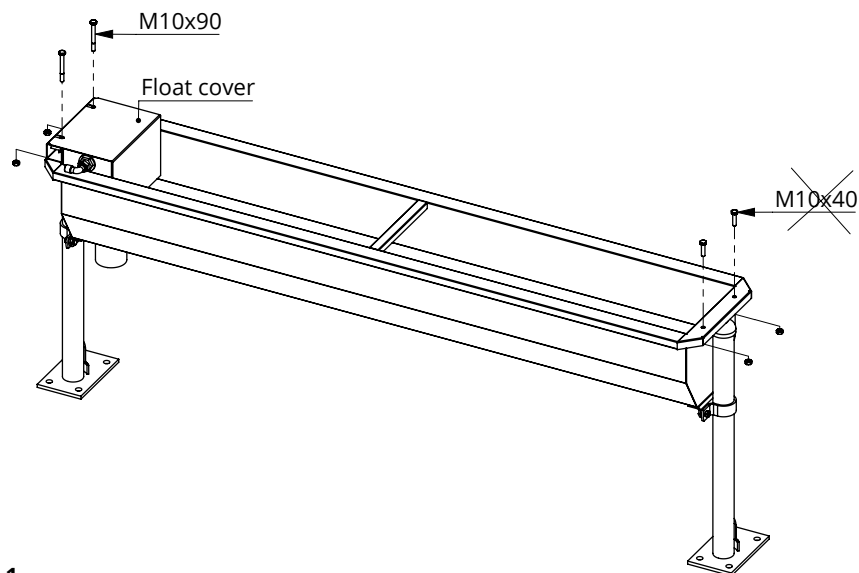
spinder

DAIRY HOUSING CONCEPTS

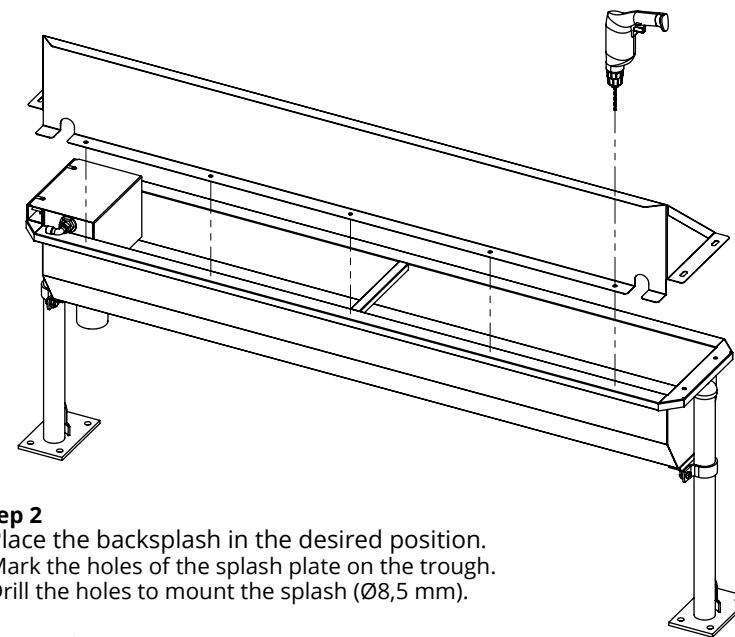
Number: 0612xx9-O

Unit: mm

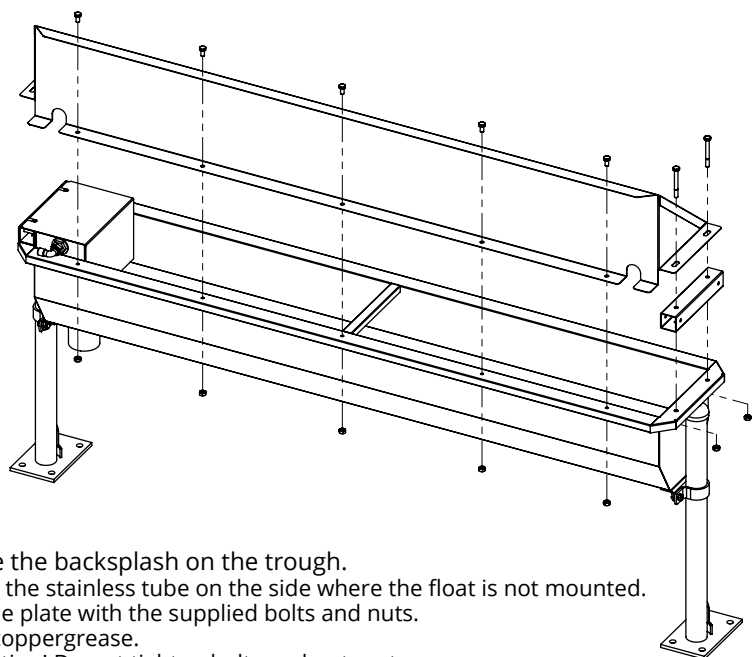
Date: 25-3-2020

**Step 1**

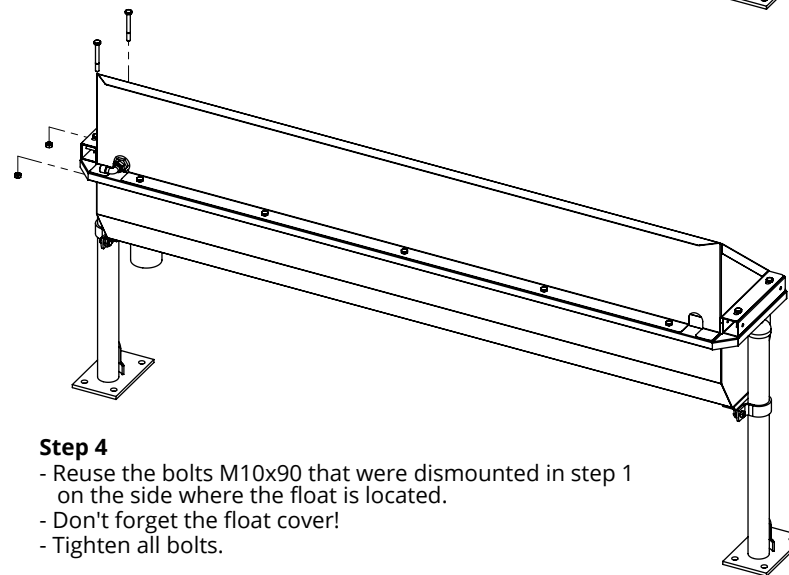
- Unscrew the mounting bolts of the float (2x M10x90) and the trough (2x M10 x40).
- Remove the M10x40 bolts. The M10x90 bolts are reused.

**Step 2**

- Place the backsplash in the desired position.
- Mark the holes of the splash plate on the trough.
- Drill the holes to mount the splash (Ø8,5 mm).

**Step 3**

- Place the backsplash on the trough.
- Place the stainless tube on the side where the float is not mounted.
- Fix the plate with the supplied bolts and nuts.
- Use coppergrease.
- Attention! Do not tighten bolts and nuts yet.

**Step 4**

- Reuse the bolts M10x90 that were dismantled in step 1 on the side where the float is located.
- Don't forget the float cover!
- Tighten all bolts.

Backsplash for Spinder stainless steel water trough 150 en 200cm

spinder

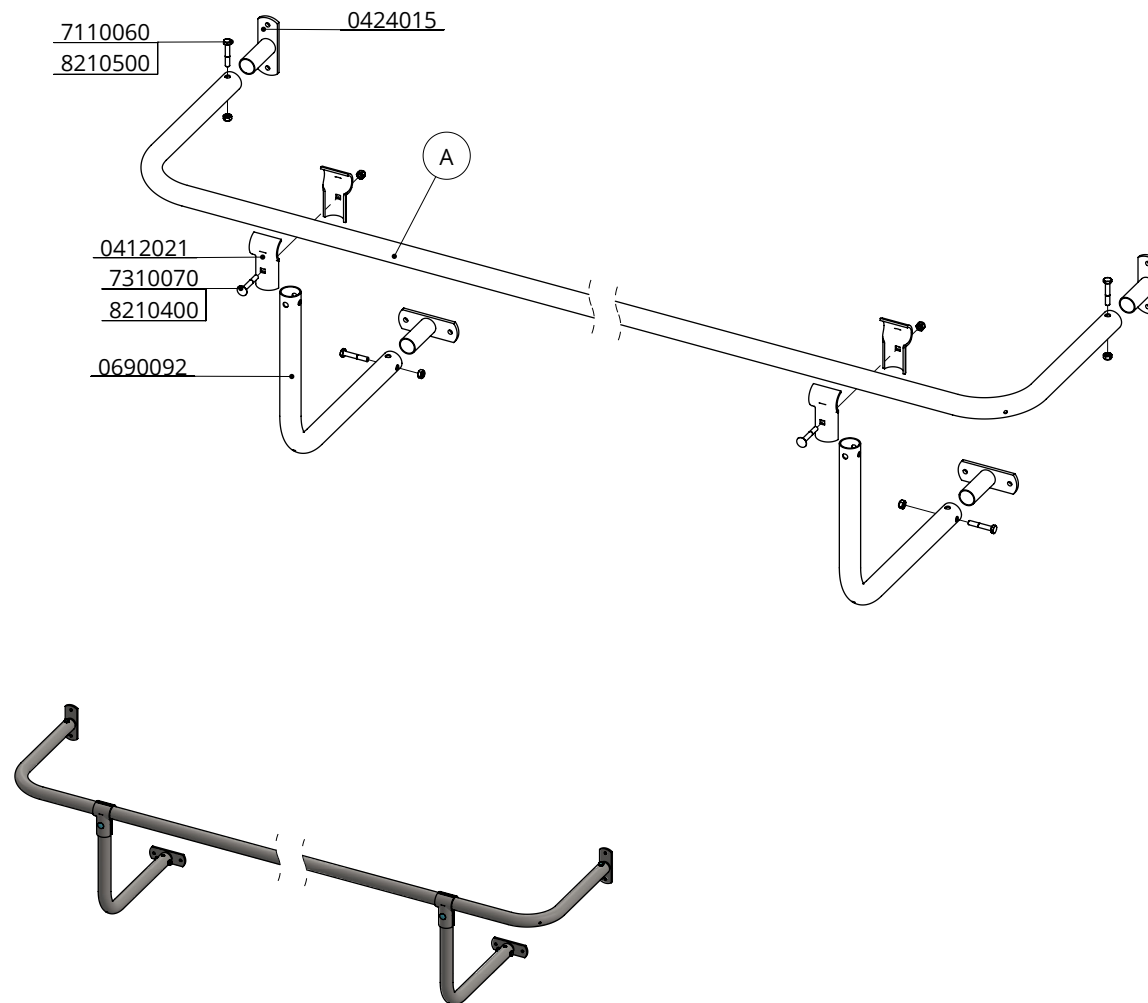
DAIRY HOUSING CONCEPTS

Number: 0612-A

Unit: mm

Date: 31-3-2017

Tekening blijft ons eigendom en mag niet gekopieerd, aan derden getoond of op andere wijze worden gebruikt. Aan de gegevens op deze tekening kunnen geen rechten worden ontleend.

**0612915**

Position	Item-nr.	Description	Number
A	0612916	protection brace for trough 150cm	1
	0690092	protection tube 90 degrees	1
	0412021	plate for T-clamp 48x48mm	2
	7310070	coach bolt M10x70 galv.	1
	8210400	self locking capped nut M10 galv.	1
	0424015	end coupling for 48mm	3
	7110060	hexagon-head bolt M10x60 galv.	3
	8210500	self locking nylon nut M10 galv.	3

0612920

Position	Item-nr.	Description	Number
A	0612921	protection brace for trough 200cm	1
	0690092	protection tube 90 degrees	2
	0412021	plate for T-clamp 48x48mm	4
	7310070	coach bolt M10x70 galv.	2
	0424015	end coupling for 48mm	4
	7110060	hexagon-head bolt M10x60 galv.	4
	8210500	self locking nylon nut M10 galv.	4
	8210400	self locking capped nut M10 galv.	2

0612930

Position	Item-nr.	Description	Number
A	0612931	protection brace for trough 300cm	1
	0690092	protection tube 90 degrees	3
	0412021	plate for T-clamp 48x48mm	6
	7310070	coach bolt M10x70 galv.	3
	8210400	self locking capped nut M10 galv.	3
	0424015	end coupling for 48mm	5
	7110060	hexagon-head bolt M10x60 galv.	5
	8210500	self locking nylon nut M10 galv.	5

protection brace for trough

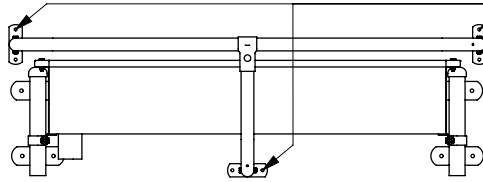
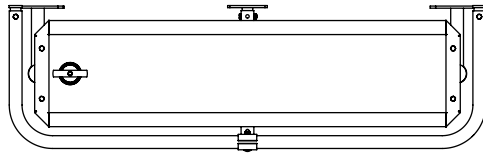
spinder

DAIRY HOUSING CONCEPTS

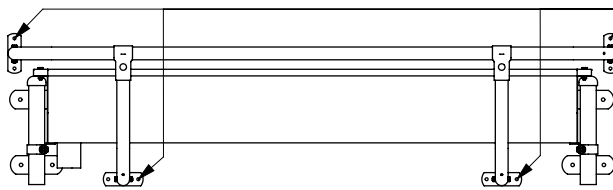
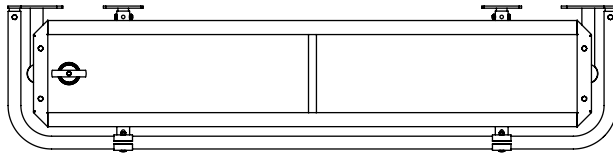
Number: 06129xx-O

Unit: mm

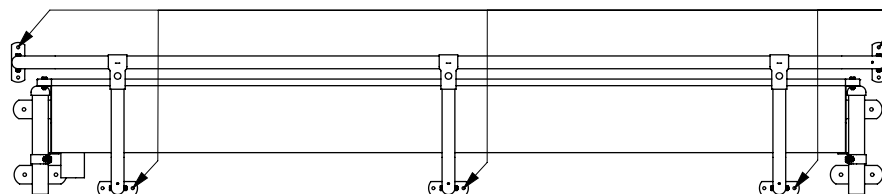
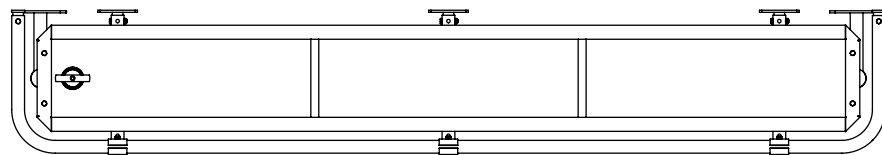
Date: 30-7-2018



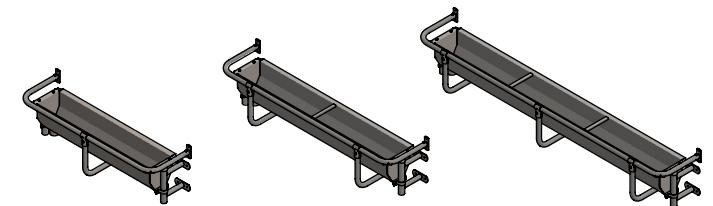
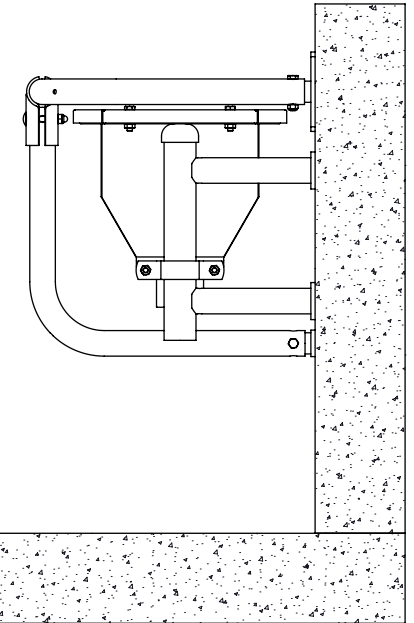
Holes Ø13 mm drilling during assembly



Holes Ø13 mm drilling during assembly



Holes Ø13 mm drilling during assembly

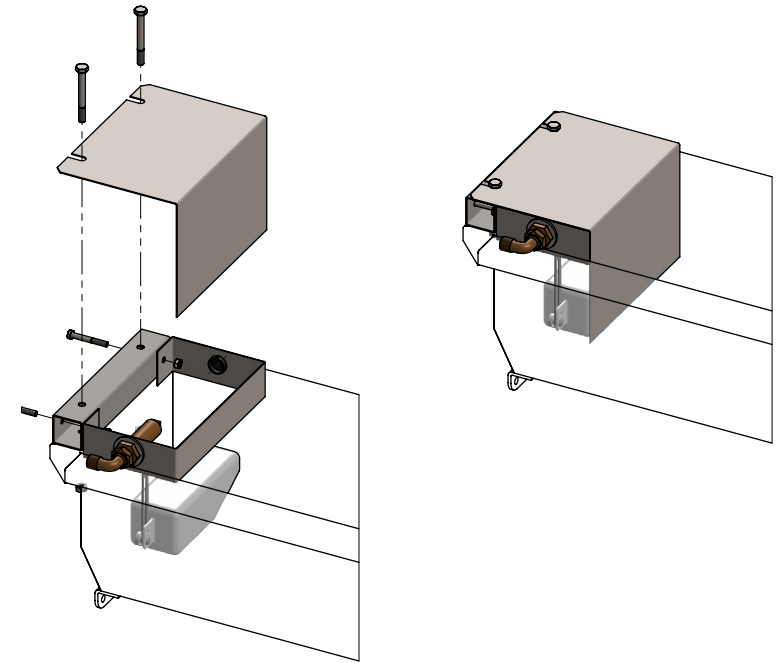
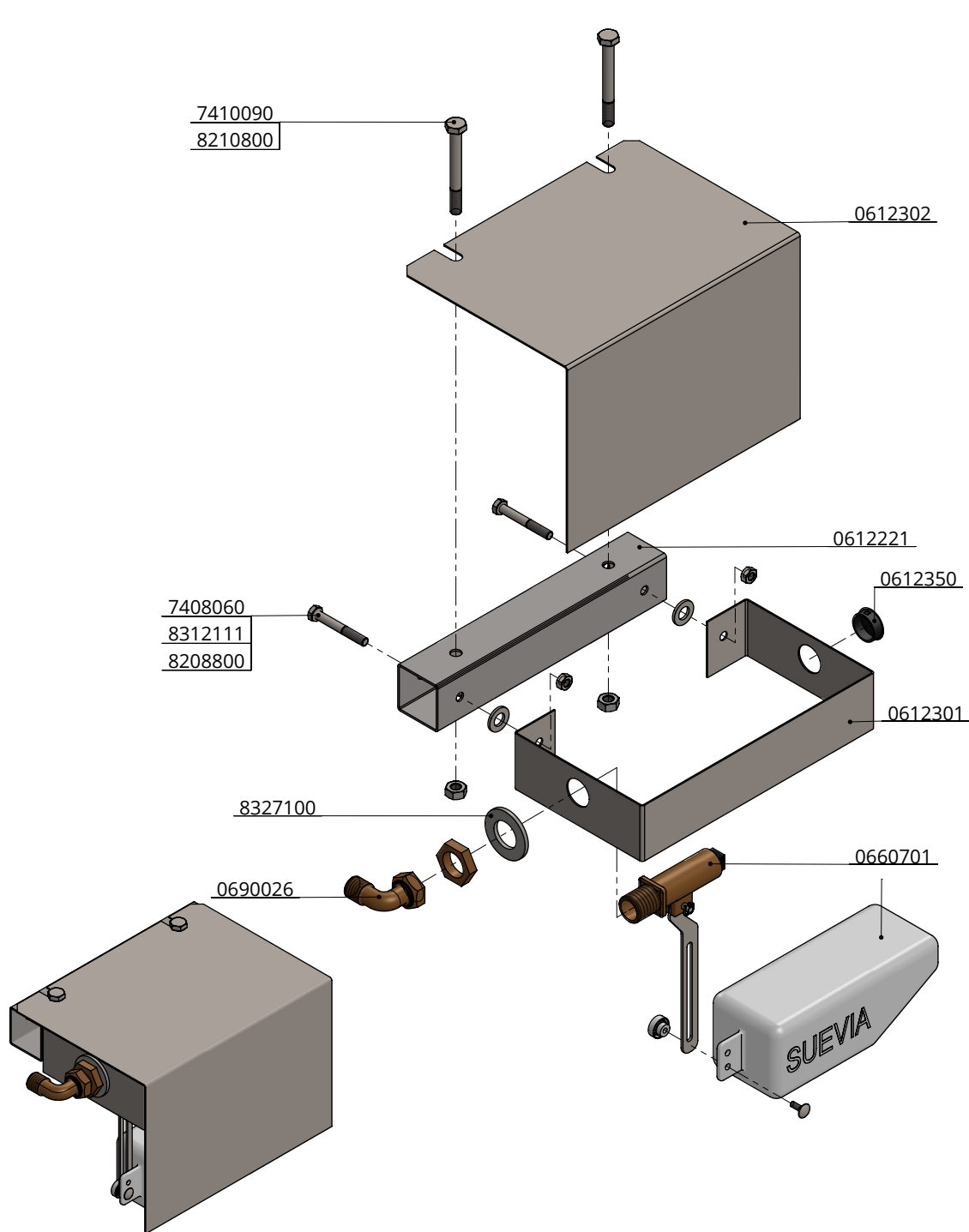


protection brace for trough



Number:	06129xx-A
Unit:	mm
Date:	30-7-2018

Tekening blijft ons eigendom en mag niet gekopieerd, aan derden getoond of op andere wijze worden gebruikt. Aan de gegevens op deze tekening kunnen geen rechten worden ontleend.



Item-nr.	Description	Number
0612221	stainless steel square tube for cover	1
0612301	mounting piece float valve Model 150cm	1
0612302	cover for drinking trough Model 150cm	1
0612350	conical sealing plug for drinking trough	1
0660701	float valve for drinking trough	1
0690026	tube connection 1/2"x3/4" 90 degrees	1
7408060	hexagon-head bolt M8x60 stainless st	2
7410090	hexagon-head bolt M10x90 stainless st	2
8208800	hexagon nut M8 stainless steel	2
8210800	hexagon nut M10 stainless steel	2
8312111	washer M12 (13x24x2,5) stainless steel	2
8327100	washer M27 (28x50x4) stainless steel	1

valve + cover

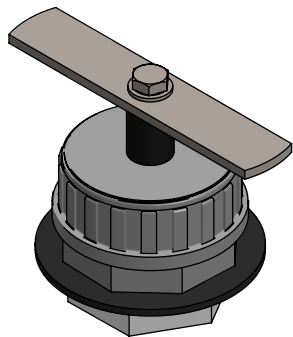
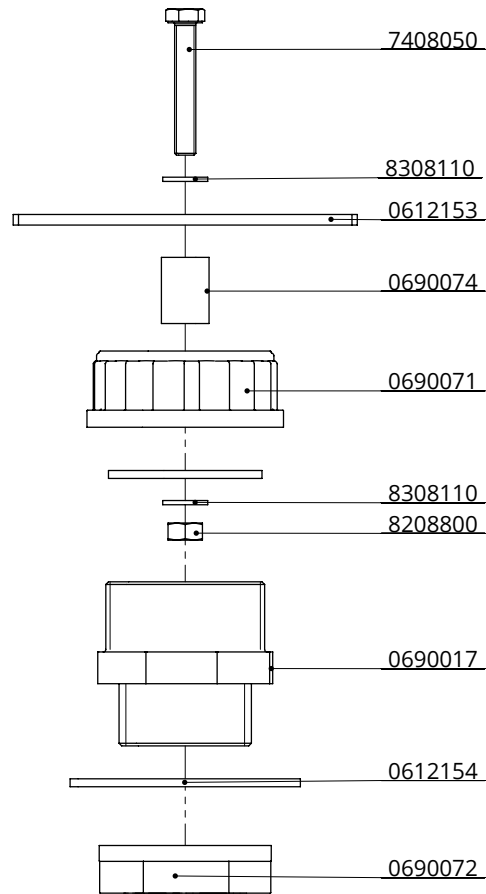
spinder
DAIRY HOUSING CONCEPTS

Number: 0612170-O

Unit: mm

Date: 4-8-2015

Tekening blijft ons eigendom en mag niet gekopieerd, aan derden getoond of op andere wijze worden gebruikt. Aan de gegevens op deze tekening kunnen geen rechten worden ontleend.



Order-nr.	Description	Number
0612153	stainless handle for plug	1
0612154	rubber ring 88 x 50 x 3mm	1
0690017	double nipple 48mm x 60mm	1
0690071	stop 2" B.S.P. with rubber ring	1
0690072	PVC nut 1,5" B.S.P.	1
0690074	spacer Black PA66 8.2 x18 l= 25mm	1
7408050	hexagon-head tap bolt M8x50 stainless st	1
8208800	hexagon nut M8 stainless steel	1
8308110	washer M8 stainless steel	2

plug for stainless drinking trough 2013

spinder
DAIRY HOUSING CONCEPTS

Number: 0612162-O

Unit: mm

Date: 4-8-2015

Tekening blijft ons eigendom en mag niet gekopieerd, aan derden getoond of op andere wijze worden gebruikt. Aan de gegevens op deze tekening kunnen geen rechten worden ontleend.